

PRODUCT INFORMATION PACKET

Model No: 184TTDW7230
Catalog No: Y468A
3,1800/900,DP,184T,3/60/460
Other Purpose



Regal and Marathon are trademarks of Regal Beloit Corporation or one of its affiliated companies.
©2018 Regal Beloit Corporation, All Rights Reserved. MC017097E



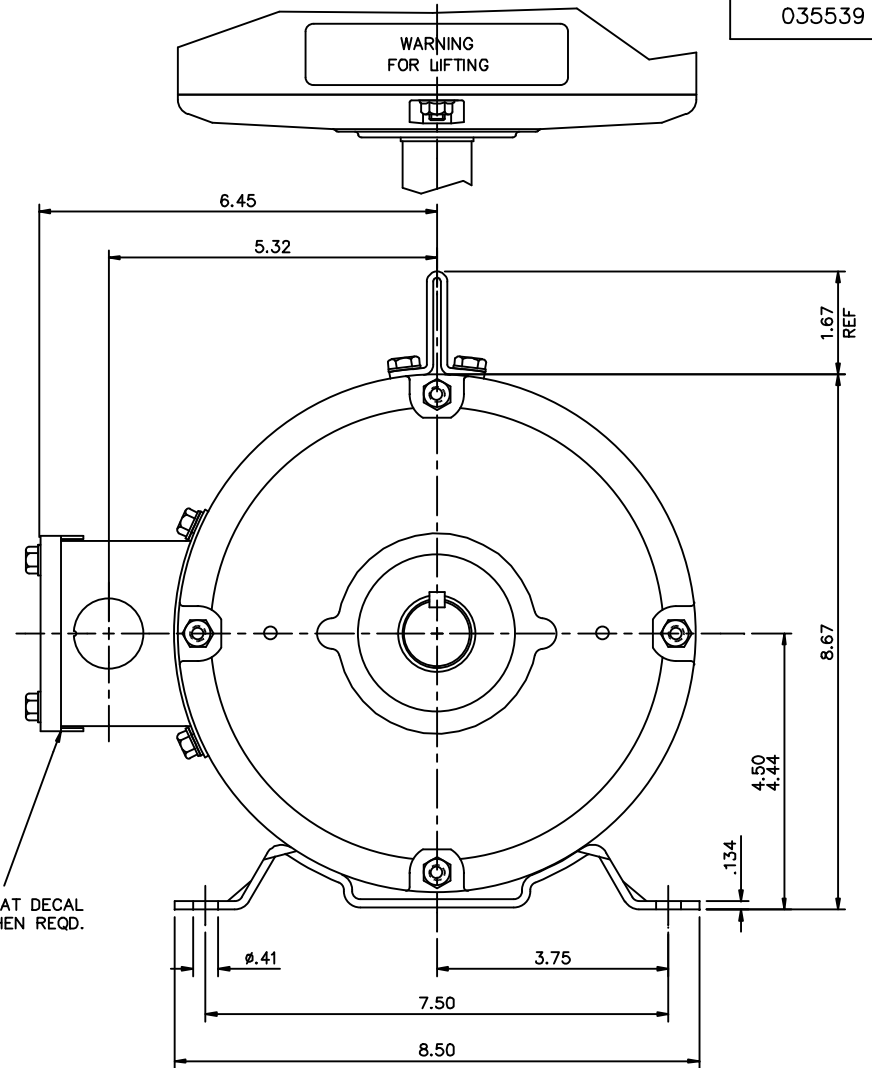
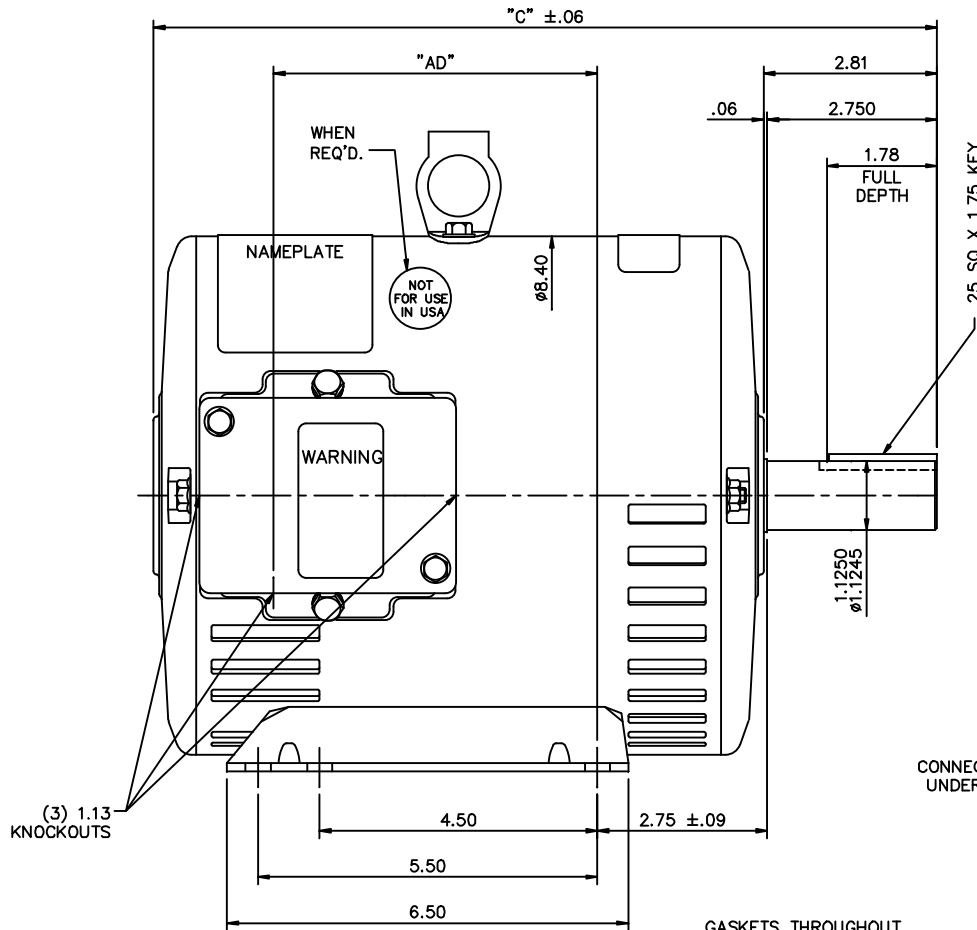
Nameplate Specifications

Output HP	3,0.75 Hp	Output KW	2.2 kW
Frequency	60 Hz	Voltage	460 V
Current	4,2.75 A	Speed	1765,885 rpm
Service Factor	1.15	Phase	3
Efficiency	82.5 %	Duty	Continous
Insulation Class	F	Design Code	2VT
KVA Code	J	Frame	184T
Enclosure	Drip Proof	Overload Protector	No
Ambient Temperature	40 °C	Drive End Bearing Size	6206
Opp Drive End Bearing Size	6205	UL	Recognized
CSA	Y	CE	Y
IP Code	22		

Technical Specifications

Electrical Type	Squirrel Cage Induction Run	Starting Method	Across The Line
Poles	4//8	Rotation	Reversible
Mounting	Rigid base	Motor Orientation	Horizontal
Drive End Bearing	Ball	Opp Drive End Bearing	Ball
Frame Material	Rolled Steel	Shaft Type	T
Overall Length	13.19 in	Frame Length	9.00 in
Shaft Diameter	1.125 in	Shaft Extension	2.81 in
Assembly/Box Mounting	F1 Only		
Outline Drawing	035539-1000	Connection Diagram	005046.01ME

This is an uncontrolled document once printed or downloaded and is subject to change without notice. Date Created: 06/29/2018

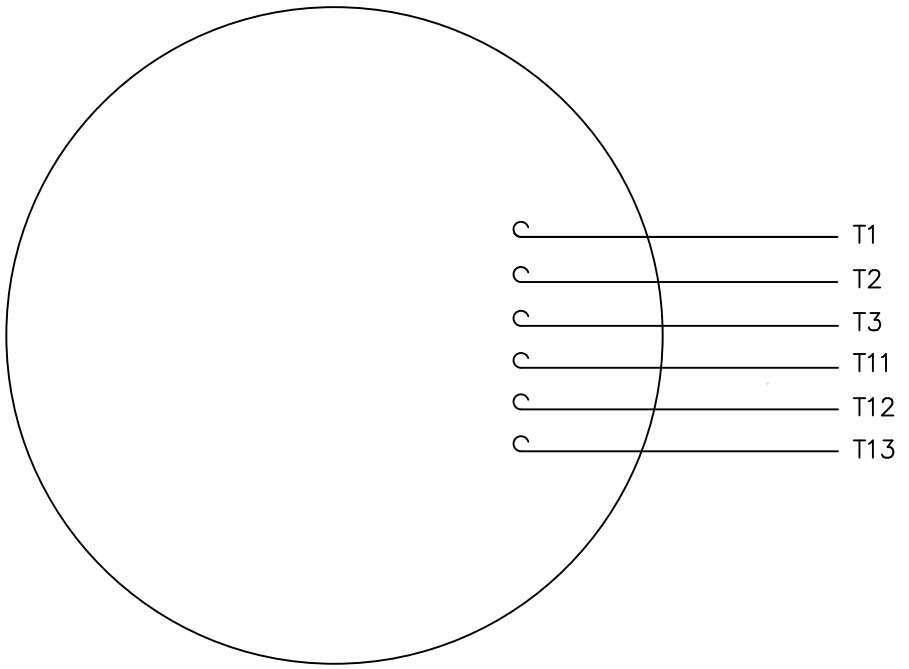


GASKETS THROUGHOUT

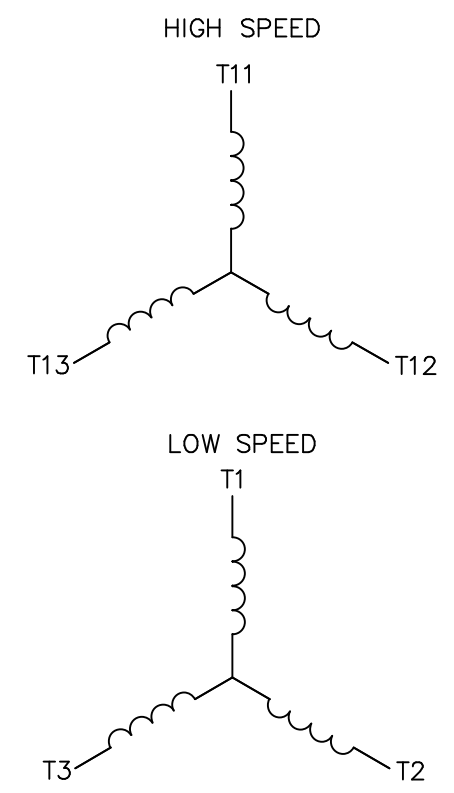
DASH NO.	"C"	"AD"
850	12.69	5.25
900	13.19	5.75
950	13.69	6.25
1000	14.19	6.75
1050	14.69	7.25
1100	15.19	7.75
1150	15.69	8.25

				TOLERANCES UNLESS SPECIFIED		MARATHON ELECTRIC		DRAWN YS 07/23/07			
				DEC.	INCHES			CHK			
				.X	±.1			APPD			
				.XX	±.03	TITLE		SCALE	1-2		
02	SHOWN "NOT FOR USE IN USA" DECAL LOCATION			JD	05/07/12	OUTLINE - 180T FRAME		REF	035464		
01	CHANGED TO NEW CONDUIT BOX 022737			YS	03/19/08	DRIP PROOF - RIGID		FMF			
				.XXX	±.005	MAT'L		PREV			
				.XXXX	±.0005	GENERAL PURPOSE					
NO. REVISION				BY & DATE	CHK	ANG	FINISH				
						±1/2'					
THIS DRAWING IN DESIGN AND DETAIL IS OUR PROPERTY AND MUST NOT BE USED EXCEPT IN CONNECTION WITH OUR WORK ALL RIGHTS OF DESIGN AND INVENTION ARE RESERVED THIS IS AN ELECTRONICALLY GENERATED DOCUMENT - DO NOT SCALE THIS PRINT						RFP	CAD FILE	035539	SIZE	DRAWING NO.	REV.
						DIST			B	035539	02

VIEW FROM OUTSIDE OF MOTOR AT SWITCH END.



LINE LEADS



	L1	L2	L3
HIGH SPEED	T11	T12	T13
LOW SPEED	T1	T2	T3

			TOLERANCES UNLESS SPECIFIED	
			DEC.	INCHES
			.X	±.1
			.XX	±.01
			.XXX	±.005
			.XXXX	±.0005
NO.	REVISION	BY & DATE	CHK	ANG ±1/2°



TITLE: EXTERNAL WIRING DIAGRAM TYPE "T" W/O PROTECTOR
 MAT'L. DECAL - 004040 - 2 WDG./2 SPEED 1Y-1Y
 FINISH: MARATHON

DRAWN	SW 06/19/02
CHK	MN 06/19/02
APPD	
SCALE	1=1
REF	
FMF	
PREV	

THIS DRAWING IN DESIGN AND DETAIL IS OUR PROPERTY AND MUST NOT BE USED EXCEPT IN CONNECTION WITH OUR WORK ALL RIGHTS OF DESIGN AND INVENTION ARE RESERVED THIS IS AN ELECTRONICALLY GENERATED DOCUMENT - DO NOT SCALE THIS PRINT			RFP	CAD FILE	00504601ME	SIZE	DRAWING NO.	REV.
			DIST			A	005046-01ME	

